

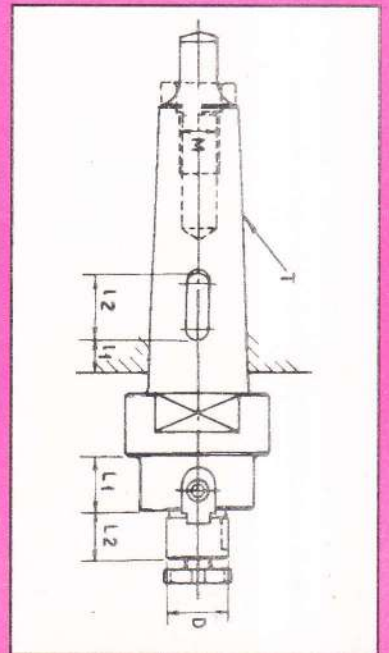
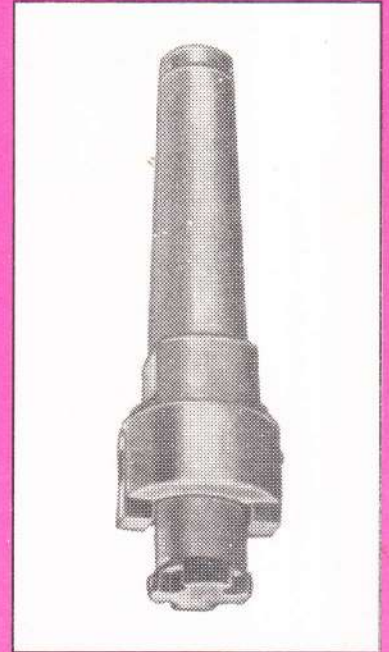


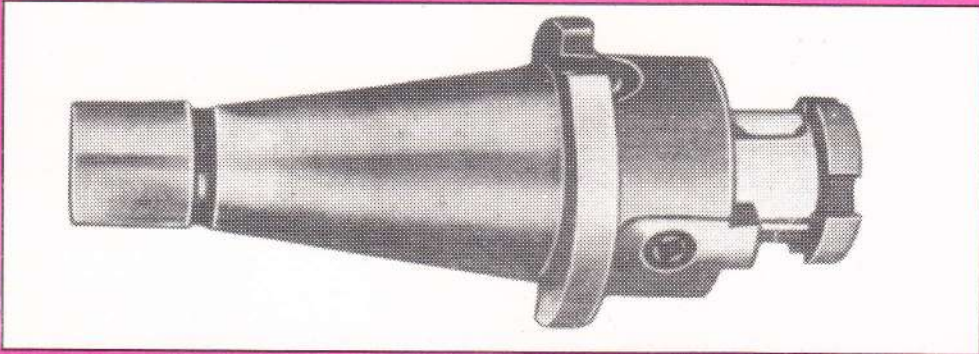
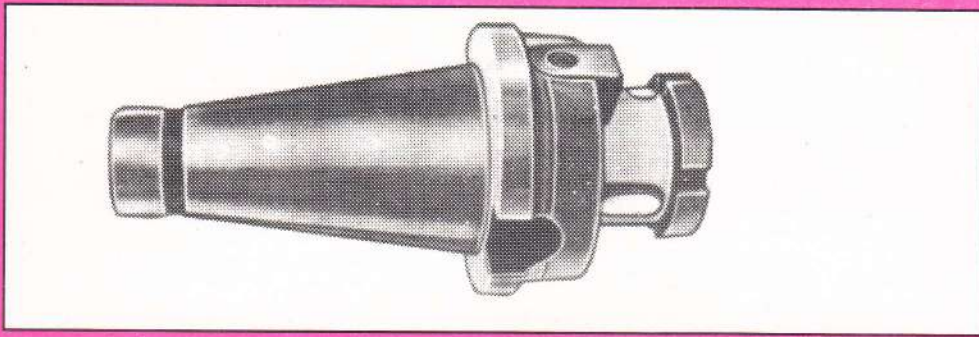
ELMECA

Elmecca Works & Office : Behind Railway Station, Post Box No. 17, Dharwad - 580007, (Karnataka), India
 Phone: 0836-440177 / 440178 / 440179. Fax: 0836-742600 & 743600 Email: elmecca@bgl.vsnl.net.in

ELMECA SHELL END MILL ARBORS WITH MORSE TAPERS

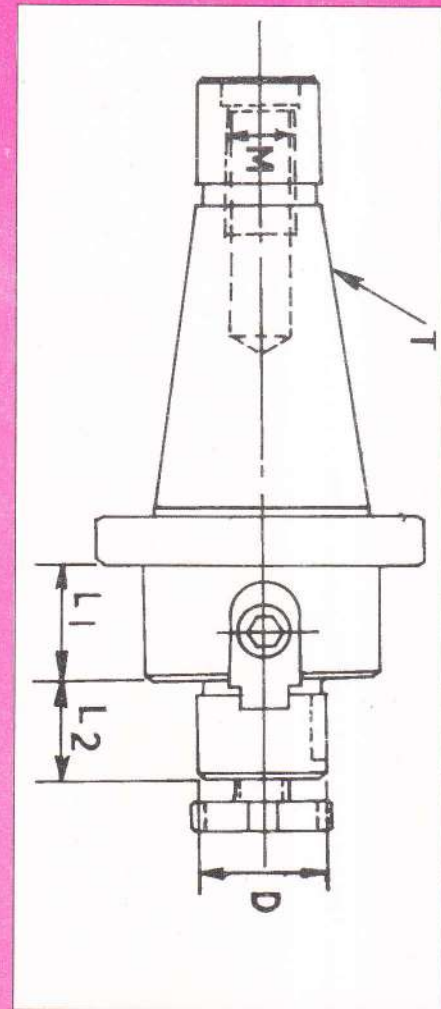
Code No	D	Collar Length		Taper		T	M
		L1	L2	I1	I2		
ST 216	16	25	17	-	-	MT2	Tang
SD 216				M10 or 3/8" BSW			
ST 316	16	25	17	22	33.5	MT3	Tang
SD 316				M12 or 1/2" BSW			
ST 322	22	25	19	22	33.5	MT3	Tang
SD 322				M12 or 1/2" BSW			
ST 416	16	25 or 40	17	22	36.5	MT4	Tang
SD 416				M16 or 5/8" BSW			
ST 422	22	25 or 40	19	22	36.5	MT4	Tang
SD 422				M16 or 5/8" BSW			
ST 427	27	25 or 40 or 63	21	22	36.5	MT4	Tang
SD 427				M16 or 5/8" BSW			
ST 432	32	25 or 40 or 63	24	22	36.5	MT4	Tang
SD 432				M16 or 5/8" BSW			
ST 440	40	25 or 40 or 63	27	22	36.5	MT4	Tang
SD 440				M16 or 5/8" BSW			
ST 522	22	25 or 40	19	22	41.5	MT5	Tang
SD 522				M20 or 3/4" BSW			
ST 527	27	25 or 40 or 63	21	22	41.5	MT5	Tang
SD 527				M20 or 3/4" BSW			
ST 532	32	25 or 40 or 63	24	22	41.5	MT5	Tang
SD 532				M20 or 3/4" BSW			
ST 540	40	25 or 40 or 63	27	22	41.5	MT5	Tang
SD 540				M20 or 3/4" BSW			
ST 550	50	25 or 40 or 63	30	22	41.5	MT5	Tang
SD 550				M20 or 3/4" BSW			
ST 560	60	25 or 40 or 63	50	22	41.5	MT5	Tang
SD 560				M20 or 3/4" BSW			
ST 622	22	25 or 40 or 63	19	22	35	MT6	Tang
SD 622				M24 or 1" BSW			
ST 627	27	25 or 40 or 63	21	22	35	MT6	Tang
SD 627				M24 or 1" BSW			
ST 632	32	25 or 40 or 63	24	22	35	MT6	Tang
SD 632				M24 or 1" BSW			
ST 640	40	25 or 40 or 63	27	22	35	MT6	Tang
SD 640				M24 or 1" BSW			
ST 650	50	25 or 40 or 63	30	22	35	MT6	Tang
SD 650				M24 or 1" BSW			
ST 660	60	25 or 40 or 63	50	22	35	MT6	Tang
SD 660				M24 or 1" BSW			





ELMECA Shell End Mill arbors with ISO Tapers

Code No	D	Collar Length		Taper T	M
		L1	L2		
S 3016	16	25 or 40	17	ISO 30	M12 or 1/2" BSW
S 3022	22		19		
S 3027	27		21		
S 3032	32		24		
S 4016	16	25 or 40 or 63	17	ISO 40	M16 or 5/8" BSW
S 4022	22		19		
S 4027	27		21		
S 4032	32		24		
S 4040	40		27		
S 5016	16	25 or 40 or 63	17	ISO 50	M24 or 1" BSW
S 5022	22		19		
S 5027	27		21		
S 5032	32		24		
S 5040	40		27		
S 5050	50		30		
S 5060	60				
S 6022	22	25 or 40 or 63	19	ISO 60	M30 or 1.1/4" BSW
S 6027	27		21		
S 6032	32		24		
S 6040	40		29		
S 6050	50		30		
S 6060	60				



keeping in step with today's technological strides, we make improvements in the designs of our products. Hence the product supplied may have features different from those described in this bulletin.

ELMECA WORKS (Prop. Pelma Engg. Indus. Pvt. Ltd.)

Works & Office : Behind Railway Station, Post Box No. 17, Dharwad - 580007, (Karnataka), India.
Phone: 0836-440177 / 8 / 9. Fax: 0836-742600 & 743600, Email: elmece@bgl.vsnl.net.in

Mumbai Office : 170 / 2 Jot Society, Jyotiba Phule Road, Dadar (E), Mumbai 400 014, India.
Phone: (022)-413 1213 & 413 5746 . Fax: 022-413 1213 Email: tejina@bom8.vsnl.net.in