



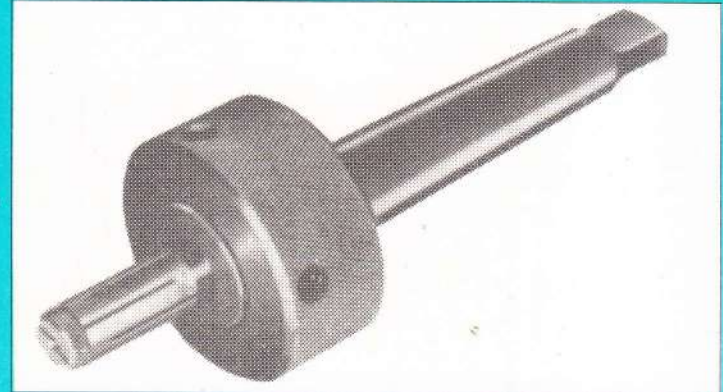
ELMECA

Elmecca Works & Office : Behind Railway Station, Post Box No. 17, Dharwad - 580007, (Karnataka), India
 Phone: 0836-440177 / 440178 / 440179. Fax: 0836-742600 & 743600. Email: elmecca@bgl.vsnl.net.in

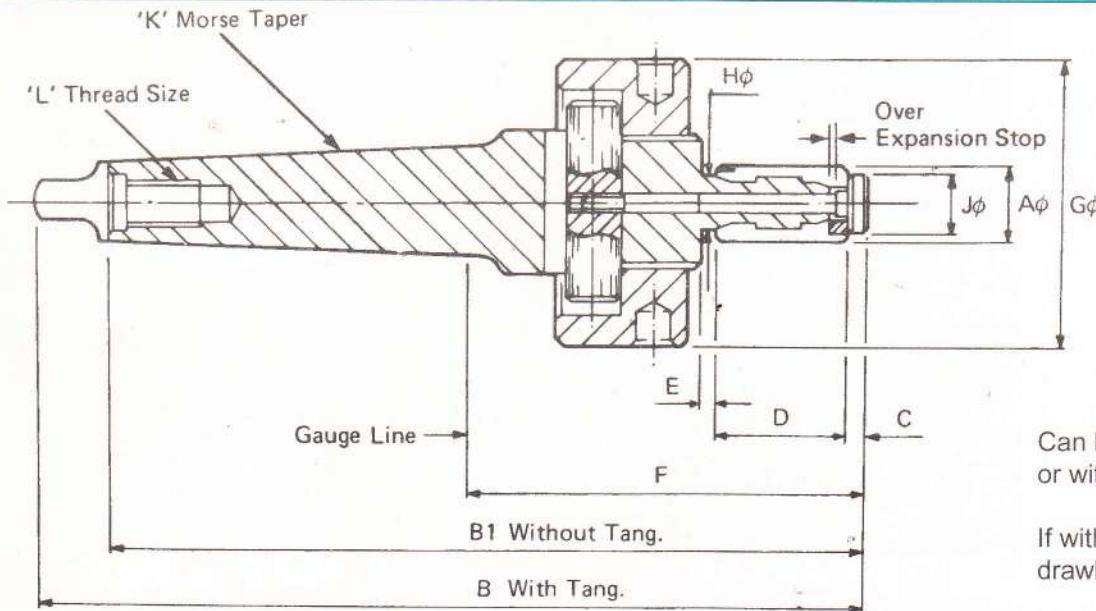
PHONE:- 0836-2440177-2440178-2440179
FAX:- 0836-2742600 & 2743600
E-mail:- elmecca@sancharnet.in

ELMECA Expanding Mandrel

- Delivers greater holding power because the sleeve grips along its entire length.
- Delivers guaranteed accuracy of 0.020 mm (0.005") T.I.R.
- Each sleeve has an expansion range of 0.8 mm (.032").
- One mandrel accommodates a wide range of sleeves.
- Sleeves are interchangeable on all mandrels of the same series.
- Self release permits fast loading and unloading.
- Ideal for blind bores or for facing ends of components.



The Cantilever model expanding mandrel is used on machines with morse taper machine mounting. These mandrels can be used for general turning or grinding operations. Particularly useful for blind bores. These mandrels are hand operated by use of 'C' spanner, and are suitable for small batch work. There is an over-expansion stop built into the expander pin to avoid over-stressing the expanding sleeve.



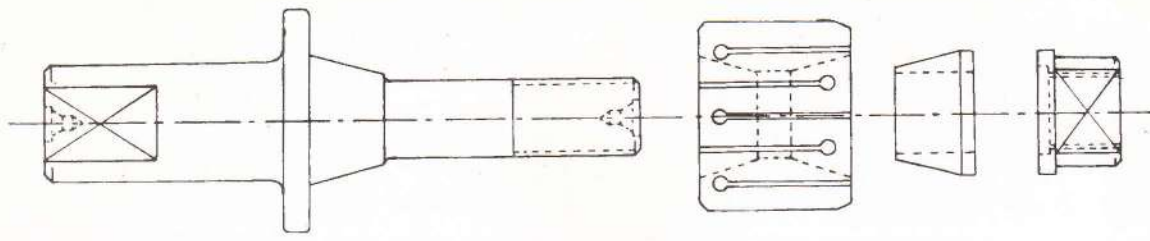
Can be supplied with or without tang.

If without tang will be drawbar held.

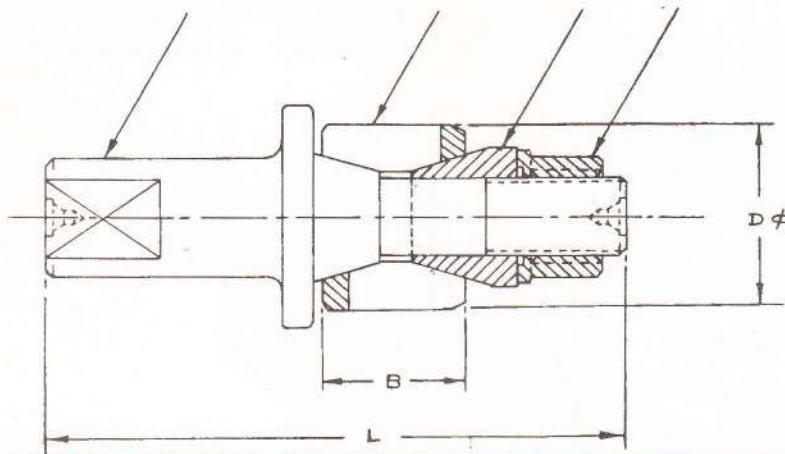
For maximum efficiency Expansion Sleeves must be pre-loaded to maintain contact with Mandrel Double Angles at all times.

Model	A range		B	B1	C	D	E	F	G	H	J	K	L	Tool No.	
	Min.	Max.												Tang Type	Drawbar Type
03A	12.5	16.0	141.0	127.0	3.2	22.0	4.0	66.0	48	9.5	11	2	M10	EM-03-047-T	EM-03-047-D
02C	16.0	22.0	155.0	141.0	4.0	27.0	10.0	80.0	50	14.1	15	2	M10	EM-02-047-T	EM-02-047-D
01C	22.0	28.5	189.0	171.0	5.0	32.0	14.0	95.0	60	20.6	20	3	M12	EM-01-047-T	EM-01-047-D
018C	28.5	41.0	202.5	184.5	5.5	38.0	15.0	108.0	70	26.3	27	3	M12	EM-018-047-T	EM-018-047-D
04C	41.0	63.5	246.5	224.5	6.0	43.0	25.5	129.0	90	37.0	37	4	M16	EM-04-047-T	EM-04-047-D
05C	63.5	76.2	260.0	238.0	8.0	51.0	24.5	142.5	100	57.3	55	4	M16	EM-05-047-T	EM-05-047-D
06C	76.2	89.0	320.0	292.0	11.0	57.0	23.5	170.5	110	71.1	75	5	M20	EM-06-047-T	EM-06-047-D
07C	89.0	130.0	323.0	295.0	14.0	63.5	27.0	173.5	130	84.1	86	5	M20	EM-07-047-T	EM-07-047-D

Ordering Example : EM-03-047T or EM-03-047D

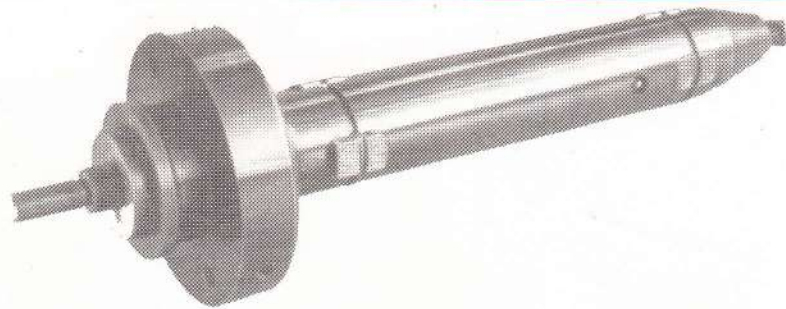


MANDREL EXP. COLLET BUSH NUT



D Collet Range	B	Max. Expansion mm	L	Tool Number
10.0-11.75	19	0.25	83	EM-01-040
12.0-14.75	26	0.25	100	EM-02-040
15.0-19.25	29	0.25	104	EM-03-040
19.5-24.25	36	0.25	125	EM-04-040
24.5-29.25	42	0.25	148	EM-05-040
29.5-34.25	46	0.25	156	EM-06-040
34.5-39.25	48	0.25	163	EM-07-040
39.5-44.25	55	0.25	179	EM-08-040
44.5-54.25	75	0.25	208	EM-09-040

10350
12973
14650
17650
19500
20600
21700
23600
25600



keeping in step with today's technological strides, we make improvements in the designs of our products. Hence the product supplied may have features different from those described in this bulletin.

ELMECA WORKS (Prop. Pelma Engg. Indus. Pvt. Ltd.)

Works & Office : Behind Railway Station, Post Box No. 17, Dharwad - 580007, (Karnataka), India.
Phone: 0836-440177 / 8 / 9. Fax: 0836-742600 & 743600, Email: elmece@bgl.vsnl.net.in

Mumbai Office : 170 / 2 Jbt Society, Jyotiba Phule Road, Dadar (E), Mumbai 400 014, India.
Phone: (022)-413 1213 & 413 5746 . Fax: 022-413 1213 Email: tejina@bom8.vsnl.net.in